



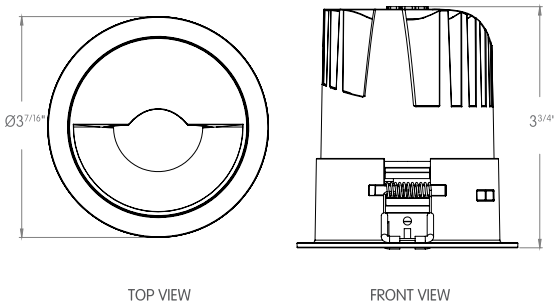
Spec-grade performance LED downlights. Optimal for hospitality, commercial, high-end residential and corporate projects.

The Chameleon R3 downlights offer a high output, precise optics, a wide range of mounting options, reflector finishes, and optical accessories.

- Up to 600lm delivered output
- Trim, trimless and millwork mounting options
- High CRI, up to +97 CRI, available upon request
- Dim-to-Warm capability 3000K to 1800K
- Tunable White capability 2700K to 5000K
- High uniformity light distribution Emin./ Emax.= 1/3
- 5 years limited warranty
- Wide range of trims and reflectors finishes

HOUSING SPECS ▼

Code example: **C3-L10R9**



| Series | Output | Voltage | Control | Housing | Emergency |
|-----------|----------------------------|------------------------------------------|------------------------|-------------------------|-----------|
| C3 | L ¹ 9W (400lm) | 1 120V | 0 Non-Dim | R Remodel | N No |
| | M ¹ 11W (480lm) | U ⁵ Universal 120V to 277V | 1 0-10 to 1% | N Non-IC | 9 90 mins |
| | H ¹ 13W (560lm) | | 2 0-10 fade-off | I ⁶ IC | |
| | D ² 8W (365lm) | | D Dali | A ⁶ Airtight | |
| | W ² 12W (562lm) | | P Phase ELV & Triac | 0 No Housing | |
| | U ³ 8W (445lm) | | L Lutron | | |
| | A ³ 12W (620lm) | | X DMX | | |
| | C ⁴ 8W (95lm) | | | | |

MODULES SPECS ▼

Code example: **C3-R0-WW-WW-W927-0**

| Mounting | Trim Color | Ref. Color | IP Rating | Optics Type | LED CRI | LED CCT | Accessories | |
|-----------|----------------------------------------------------|-------------------------|--------------------------|--------------|-----------------|-------------------------------------|-----------------|-------------------------|
| C3 | R0 Round Trimless | W W White | W Flat White | D Dry | W Washer | 9 90 | 27 2700K | 0 No Accessories |
| | R1 Round Trim | | B Flat Black | W Wet | | H Thrive | 30 3000K | |
| | R2 Round Trim with Constant Force Spring | | N Black Nickel | | | | 35 3500K | |
| | R3 Round Millwork | | C Specular Chrome | | | | 40 4000K | |
| | | D Diffuse Chrome | | | | WD 3000K - 1800K | | |
| | | G Bright Gold | | | | TW⁷ 2700K - 5000K | | |
| | | E Diffuse Gold | | | | CC RGBW | | |

Notes:

- ¹ Denotes output at 3000K, unless otherwise noted.
- ² Denotes output specific to Dim-to-Warm at 3000K.
- ³ Denotes output specific to Tunable White at full on.
- ⁴ Denotes output at White, 3000K.
- ⁵ Not applicable for ELV dimming.
- ⁶ Chicago Plenum rated.
- ⁷ Tunable White available in 0-10V, DMX and DALI.

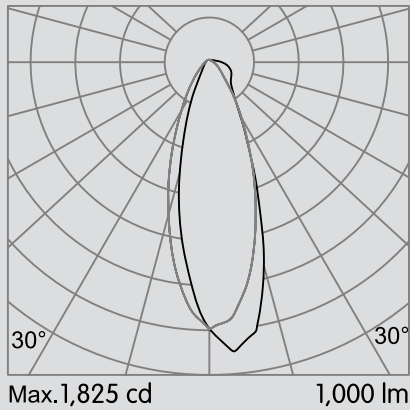
Consult factory for lead-times.
Bold Lighting reserves the right to make technical changes without notice.



OPTICAL FLEXIBILITY

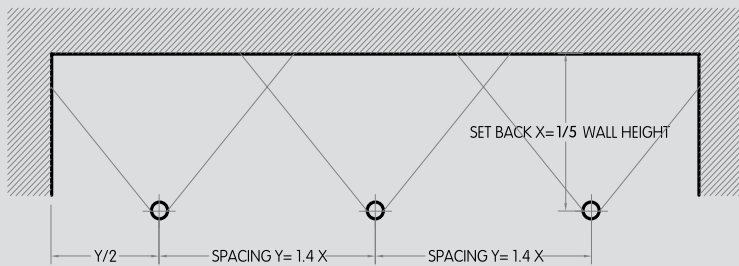
Photometric data: Type C Polar Curves

Wallwash Distribution

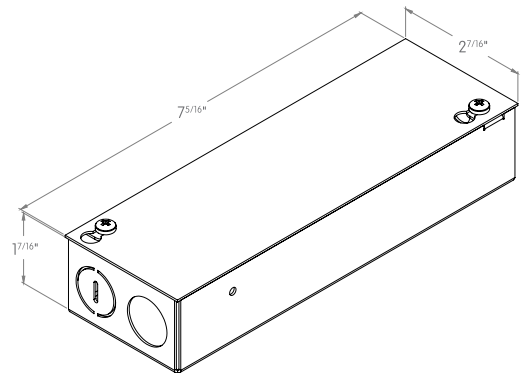


Wallwasher optimal spacing

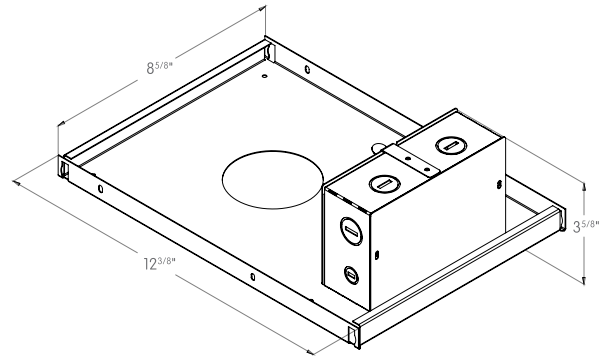
Plan View



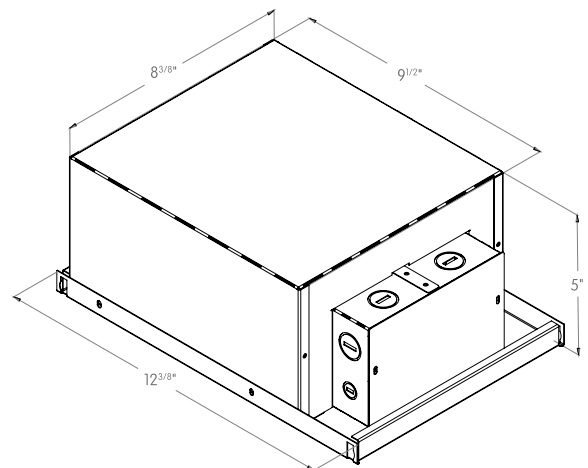
REMODEL HOUSING



NON-IC HOUSING



IC HOUSING & AIRTIGHT



CCC Certified to GB7000

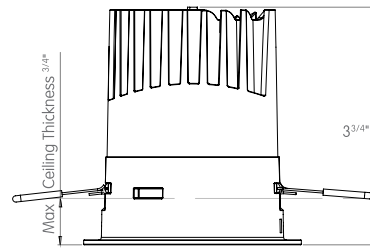


JA8 Certified to Title 24 standards

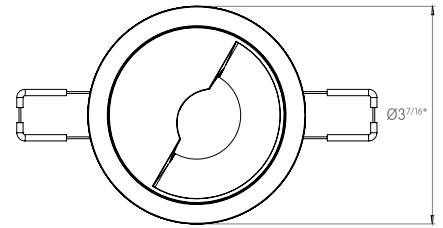
MOUNTING FLEXIBILITY

TRIM TORSION SPRINGS

Ø 3"



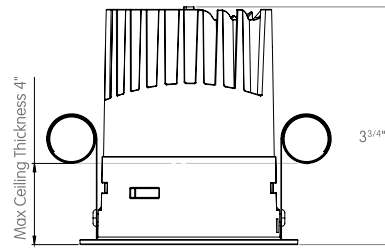
FRONT VIEW



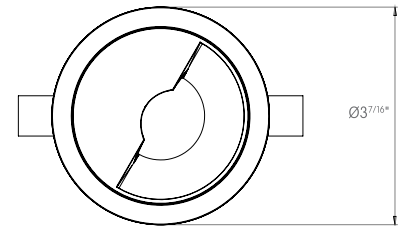
TOP VIEW

TRIM CONSTANT FORCE SPRINGS

Ø 3"



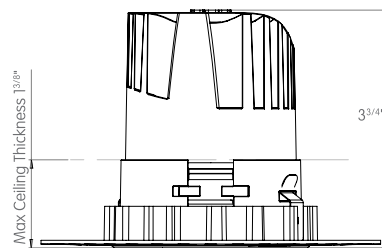
FRONT VIEW



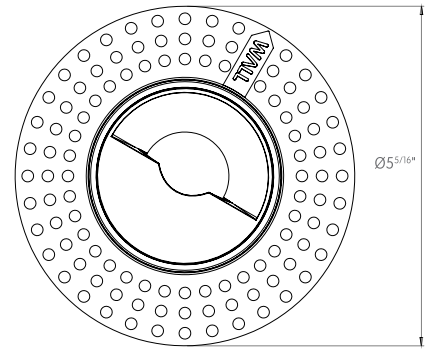
TOP VIEW

TRIMLESS

Ø 3 1/2"



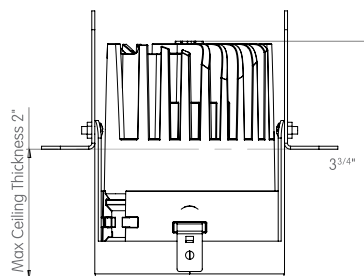
FRONT VIEW



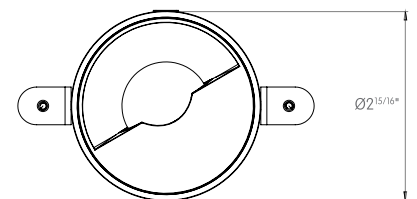
TOP VIEW

MILLWORK

Ø 3"



FRONT VIEW



TOP VIEW



CCC Certified to GB7000



JA8 Certified to Title 24 standards

DELIVERED LUMEN OUTPUT

| Output | | Watts | | | | CRI +90 | | | | | |
|--------------------------------------|-----|-------|--|--------------|--|--------------|--|--------------|--|----------|--|
| STATIC-WHITE | | | | 2700K | | 3000K | | 4000K | | | |
| L | 9W | 390lm | | 400lm | | 410lm | | | | | |
| M | 11W | 460lm | | 480lm | | 490lm | | | | | |
| H | 13W | 540lm | | 560lm | | 570lm | | | | | |
| DIM-TO-WARM 3000K-1800K | | | | 3000K | | | | | | | |
| D | 8W | 365lm | | | | | | | | | |
| W | 12W | 562lm | | | | | | | | | |
| TUNABLE WHITE 2700K-6500K | | | | 2700K | | | | 6500K | | | |
| U | 8W | 380lm | | 445lm | | | | | | | |
| A | 12W | 535lm | | 620lm | | | | | | | |
| RGBW | | | | R | | G | | B | | W | |
| L | 2W | 20lm | | 125lm | | 20lm | | 95lm | | | |
| TOTAL | 8W | 20lm | | 125lm | | 20lm | | 95lm | | | |



CCC Certified
to GB7000



JA8 Certified
to Title 24
standards